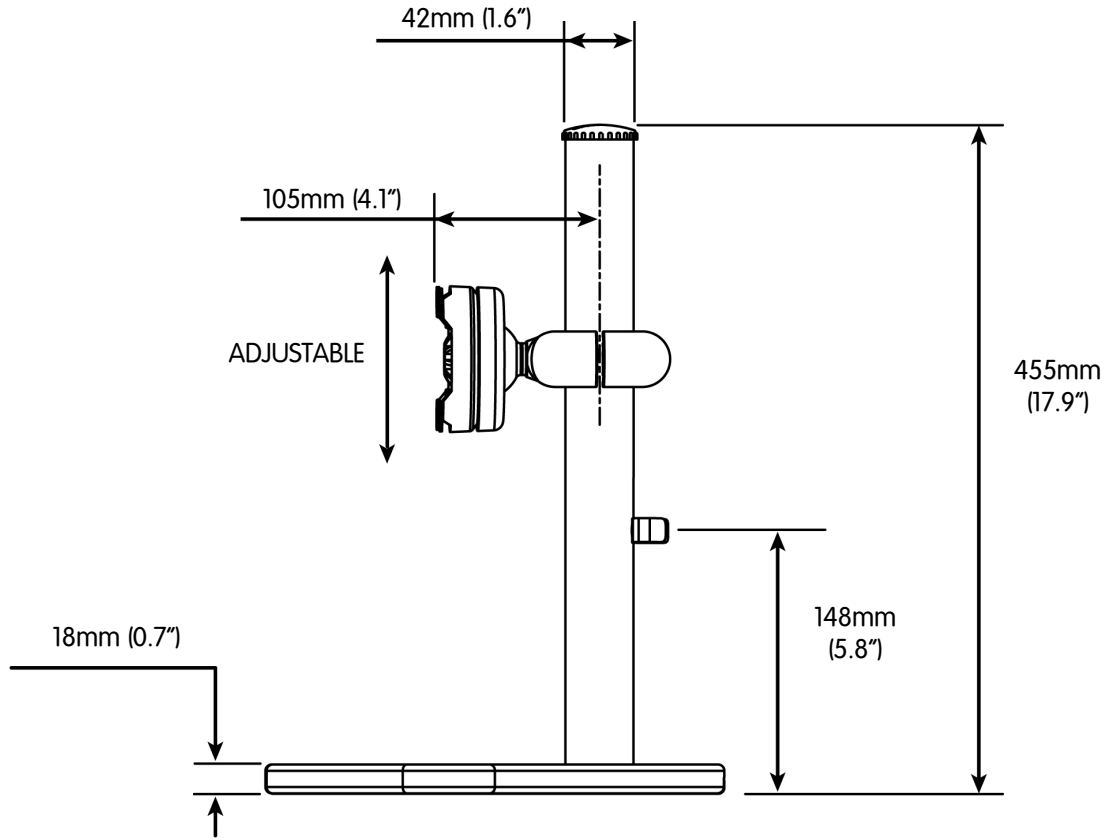


# SPACEDEC<sup>®</sup>

(1/12/03) **Technical Specifications**  
**DISPLAY FREESTANDING DOUBLE**

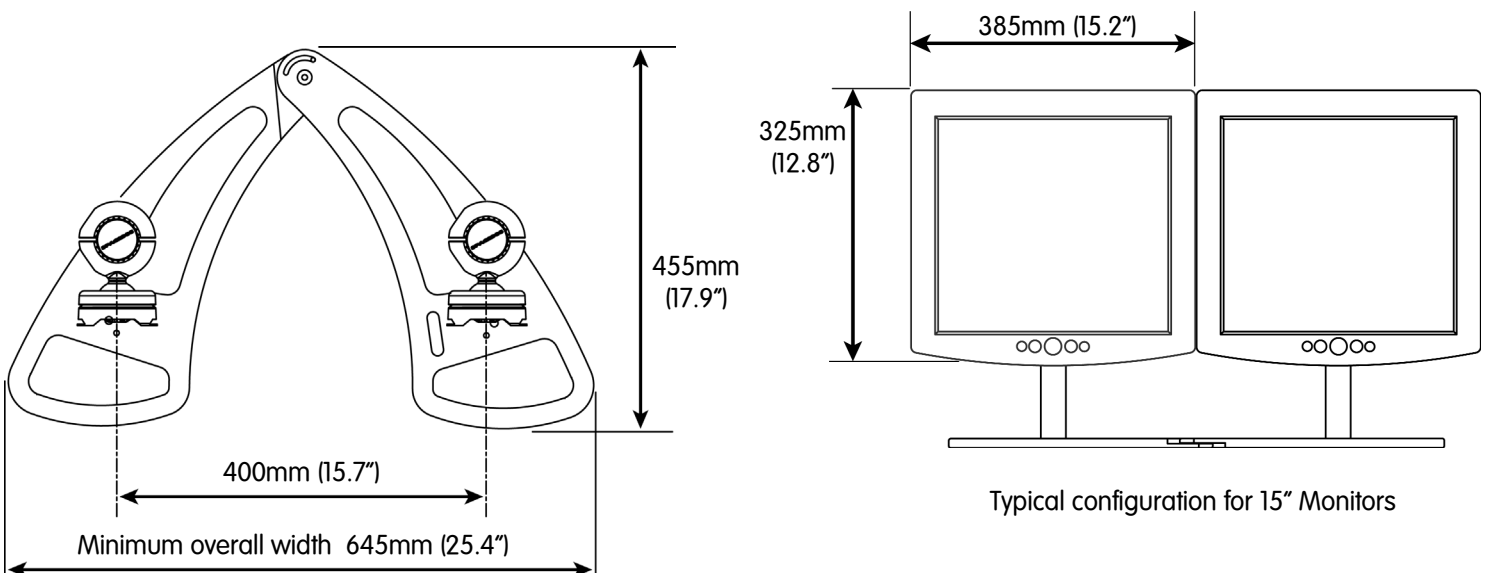
## Dimensions

NOTE: This product has been designed to mount 15" - 21" monitors.



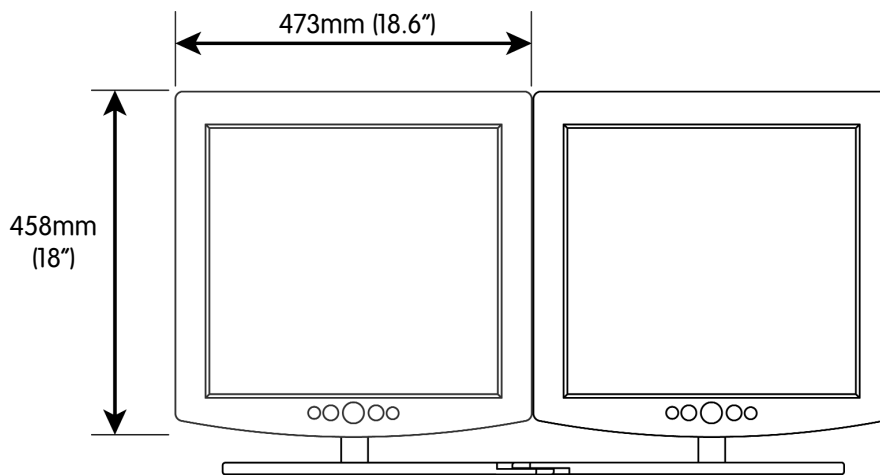
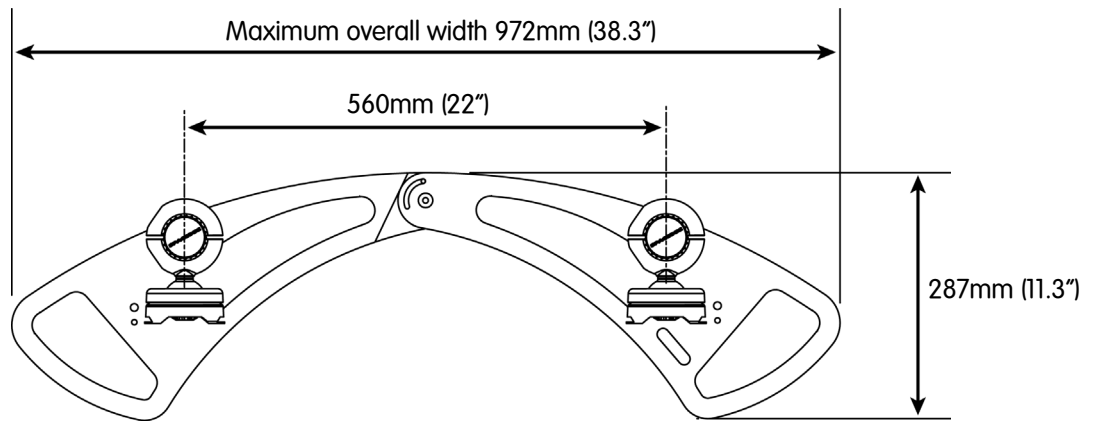
## Minimum Footprint

The minimum Footprint of the DISPLAY FREESTANDING DOUBLE is determined by the width of your monitors. The minimum has been calculated using 15" Monitors.



## Maximum Footprint

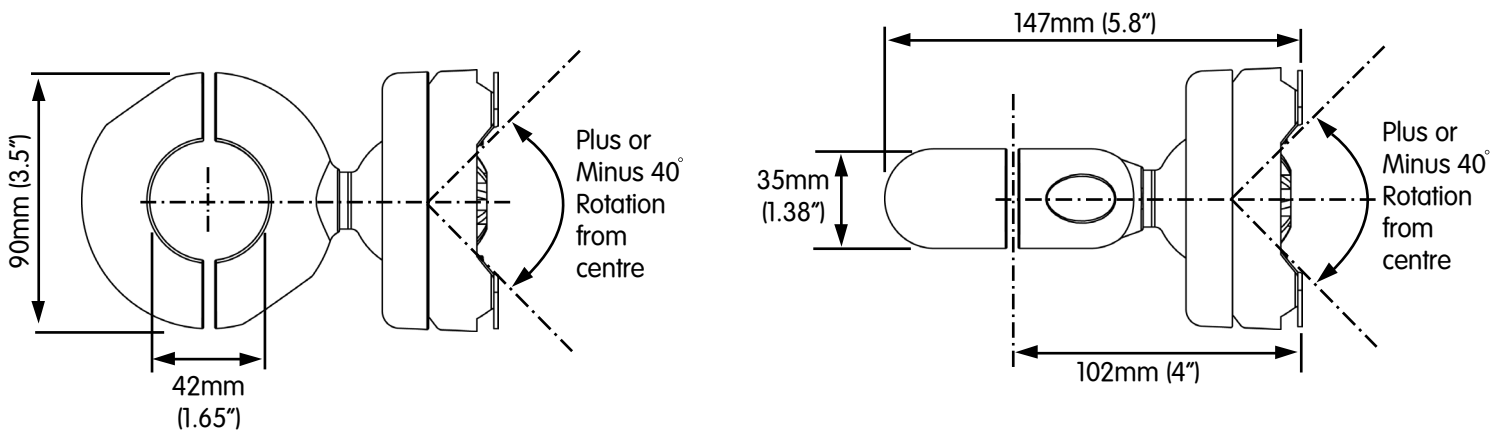
The maximum Footprint of the DISPLAY FREESTANDING DOUBLE allows for Monitors measuring up to 21".



Typical configuration for 21" Monitors

## Donut 42 Dimensions

**Maximum Load:** 11.5 kg (25 lbs)



www.atdec.com