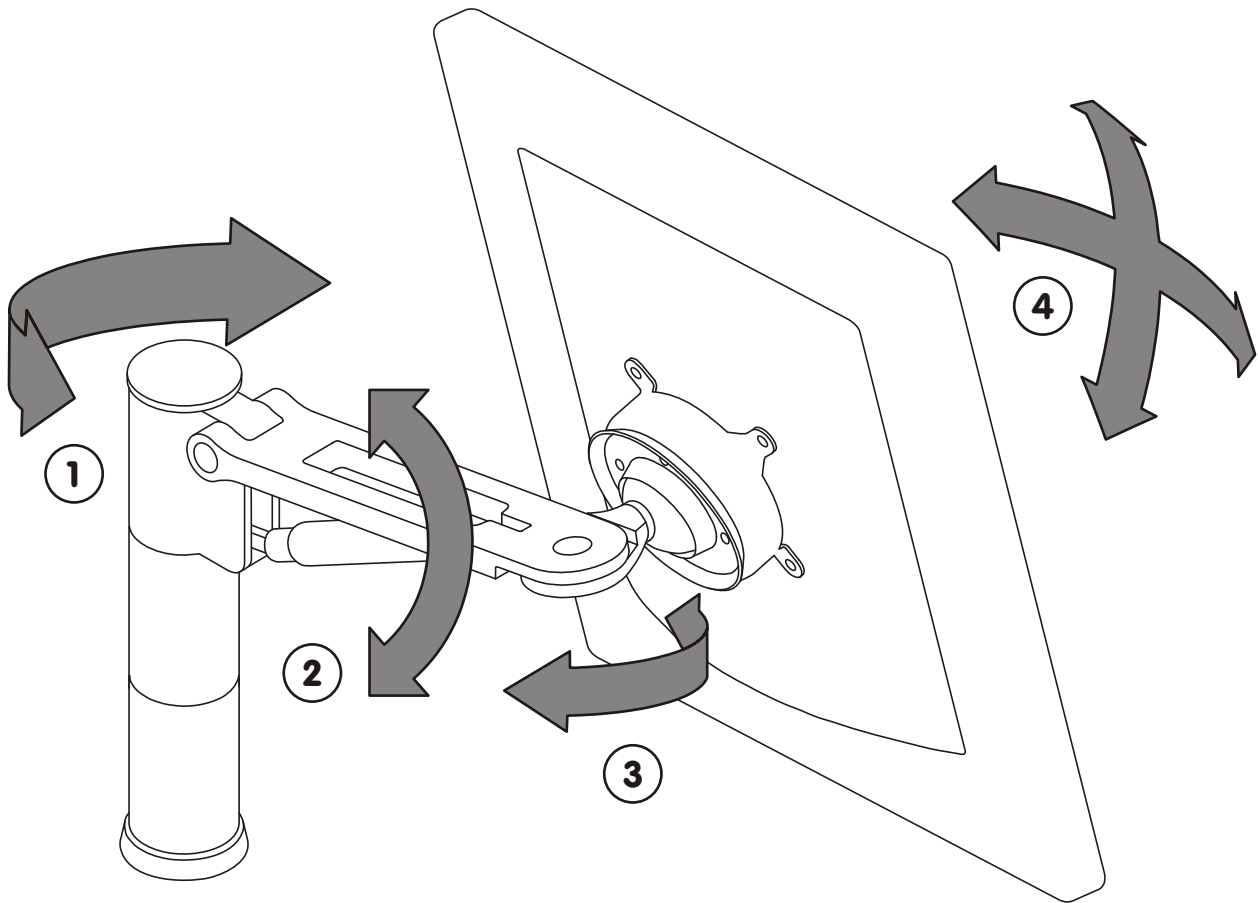


# SPACEDEC SWING ARM

## TECHNICAL SPECIFICATIONS

### GENERAL FEATURES



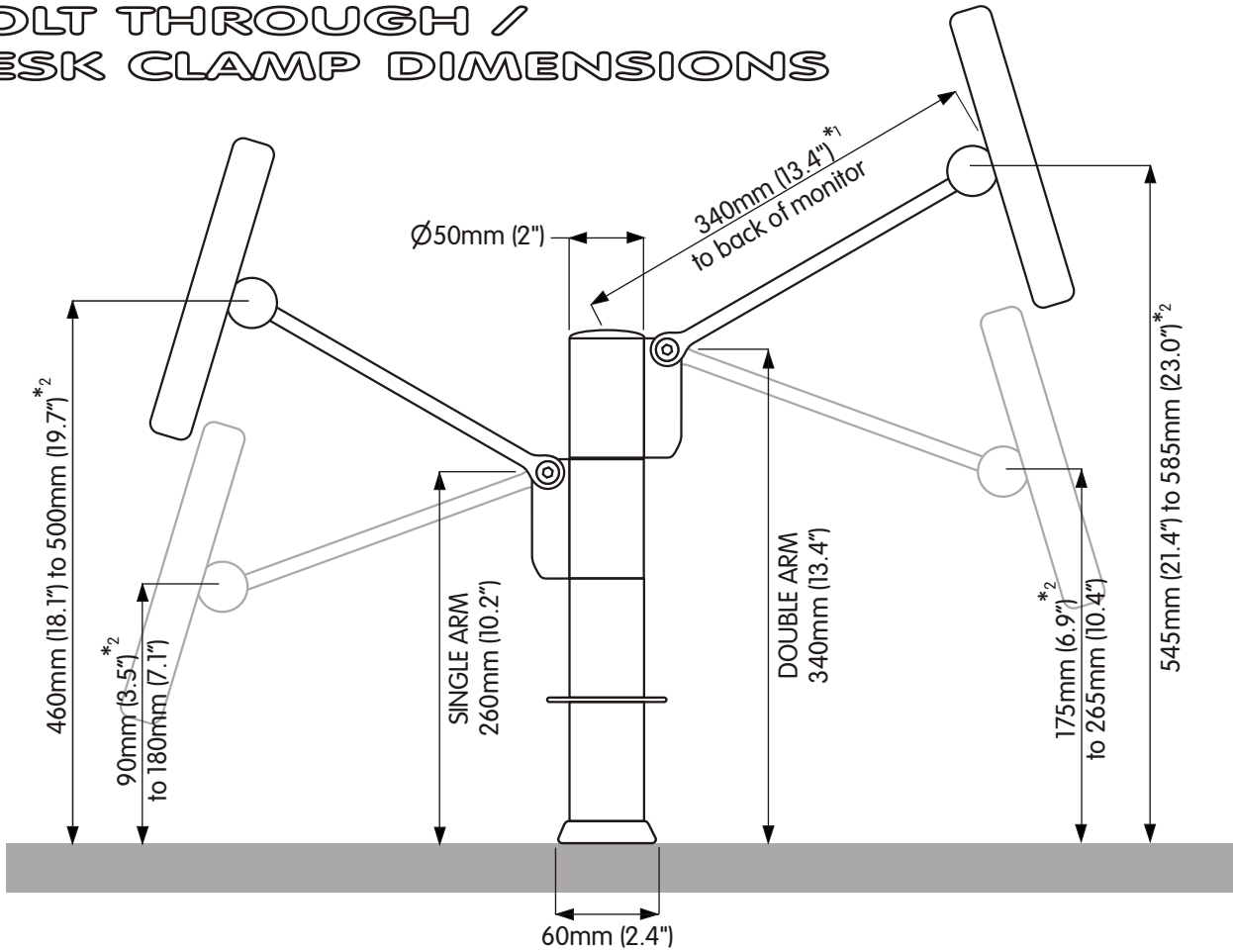
- ① 360° around mounting post
- ② Up to 90° or 300mm (11.8") height adjustment
- ③ 180° around the end of the arm
- ④ ± 40° tilt/rotation of the screen

- Screen Compatibility:**
- Spacedec arms are compatible with most TFT LCD monitors that use the VESA international mounting standard
- Screen Weight:**
- 3kg (6.6lbs) to 9kg (19.8lbs)
- Arm Mounting:**
- Bolt Through
  - Desk Clamp
  - Wall Mount (Direct Wall and Function/Slat Wall)
- Screen Mounting:**
- Direct Mount
  - Quick Release
- Colours:**
- Silver Satin
  - Black Texture
  - APO Computer Grey  
(other colours for metal and plastic components are available on application)
- Warranty:**
- 2 years

# SPACEDEC SWING ARM

## TECHNICAL SPECIFICATIONS

### BOLT THROUGH / DESK CLAMP DIMENSIONS



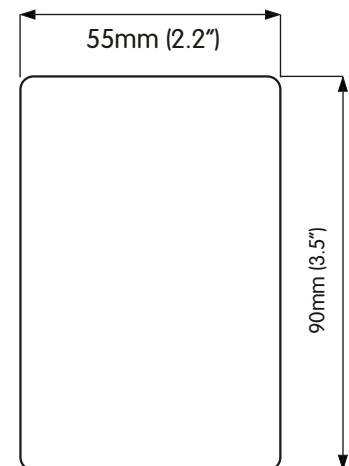
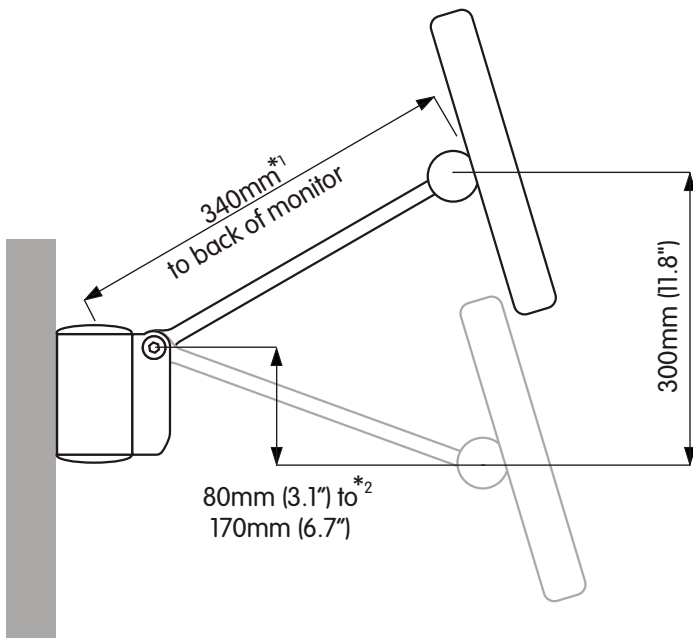
**Single**  
**Double**  
**Triple**

**Post Height**  
285mm (11.2")  
360mm (14.2")  
610mm (24")

\*1 This measurement (length of arm from centre of mounting post to back edge of screen) taken from Direct Mount systems. For Quick Release systems add 25mm (1").

\*2 This measurement shows potential minimum/maximum range. Exact dimension depends on position of gas spring adjustment.

## DIRECT / FUNCTION WALL MOUNT DIMENSIONS



Direct wall mount requires mounting area of 55mm x 90mm (2.2" x 3.5")

# SPACEDEC SWING ARM

## TECHNICAL SPECIFICATIONS

### ARM MOUNTING OPTIONS



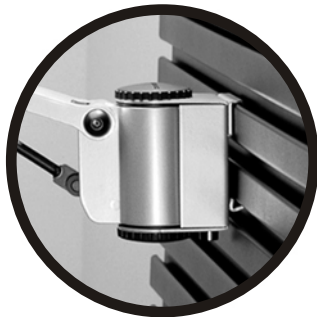
**Bolt Through**



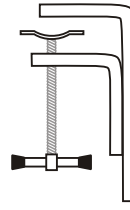
**Desk Clamp**



**Direct Wall**



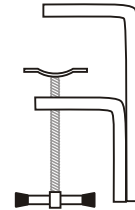
**Function/Slot Wall**



(i)

MIN 0mm

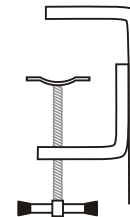
MAX 20mm  
(0.8")



(ii)

MIN 0mm

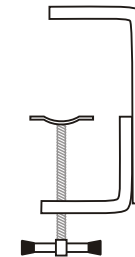
MAX 40mm  
(1.6")



(iii)

MIN 25mm

(1")  
MAX 75mm  
(3")



(iv)

MIN 45mm

1.8"  
MAX 95mm  
(3.7")

Desk Clamp configurations for different desktop thicknesses

The **Bolt Through** mounting requires a 9mm (3/8") hole through the desk.

The **Desk Clamp** can be arranged into different configurations providing a clamp to fit a variety of desk thicknesses.

The **Direct Wall** mounts to a brick, a metal structure, concrete or timber stud wall.

Different brackets are available for a number of **Function/Slot Wall** systems from furniture manufacturers including Herman Miller, Steelcase, Haworth, Ahrend and Schiavello.

## SCREEN MOUNTING OPTIONS



**Direct Mount**



**Quick Release**

**Direct Mount** (standard option)

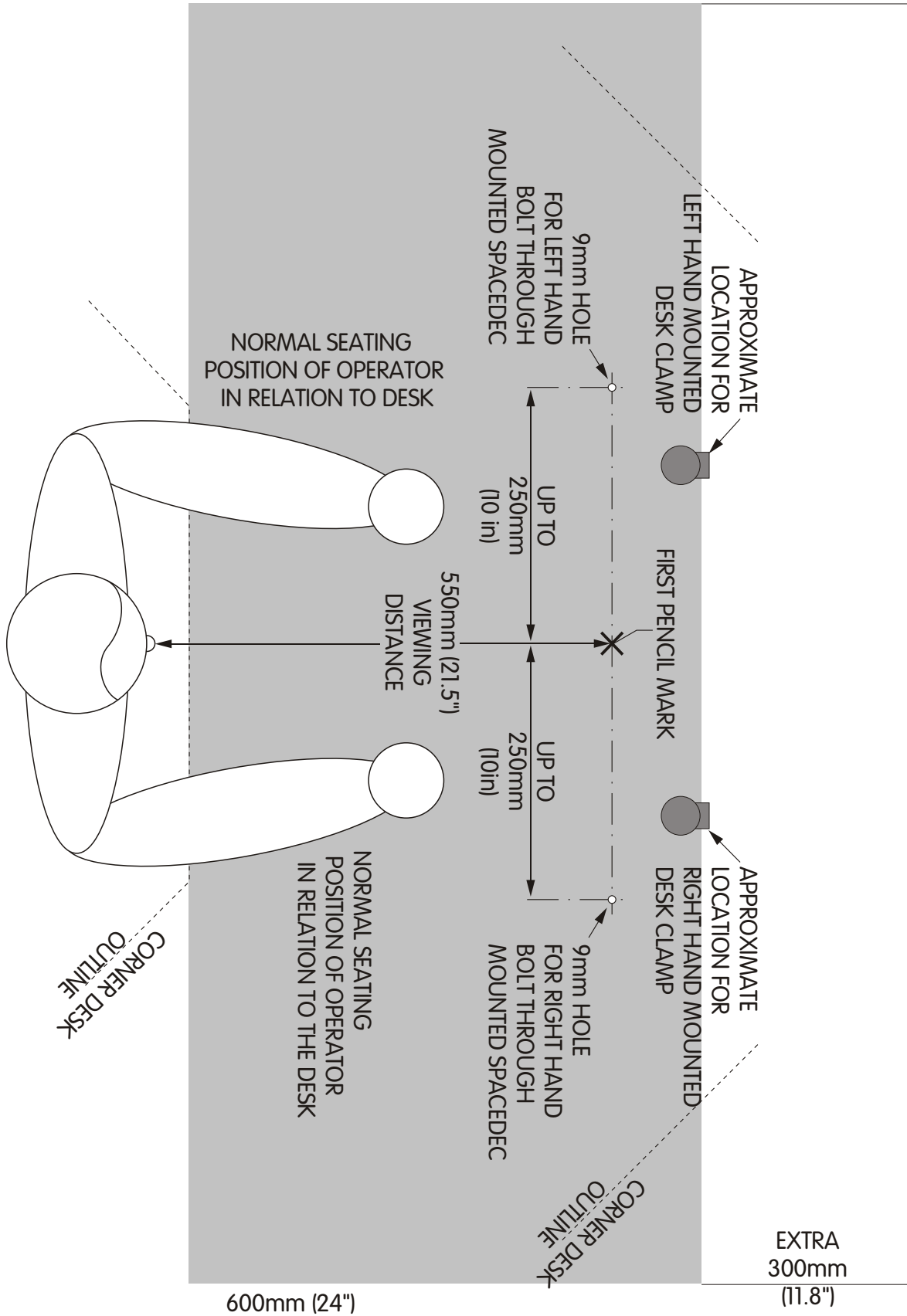
- Stable and secure
- Suited to situations where the monitor does not need to be moved often

**Quick Release**

- Key lockable
- Allows monitor to be upgraded or replaced within seconds

# SPACEDEC SWING ARM

## RECOMMENDED DESK LAYOUT



REDUCED  
600mm (24") DESK DEPTH  
SUITABLE FOR TFT MONITOR

TRADITIONAL  
900mm (35") DESK DEPTH  
SUITABLE FOR CRT MONITOR